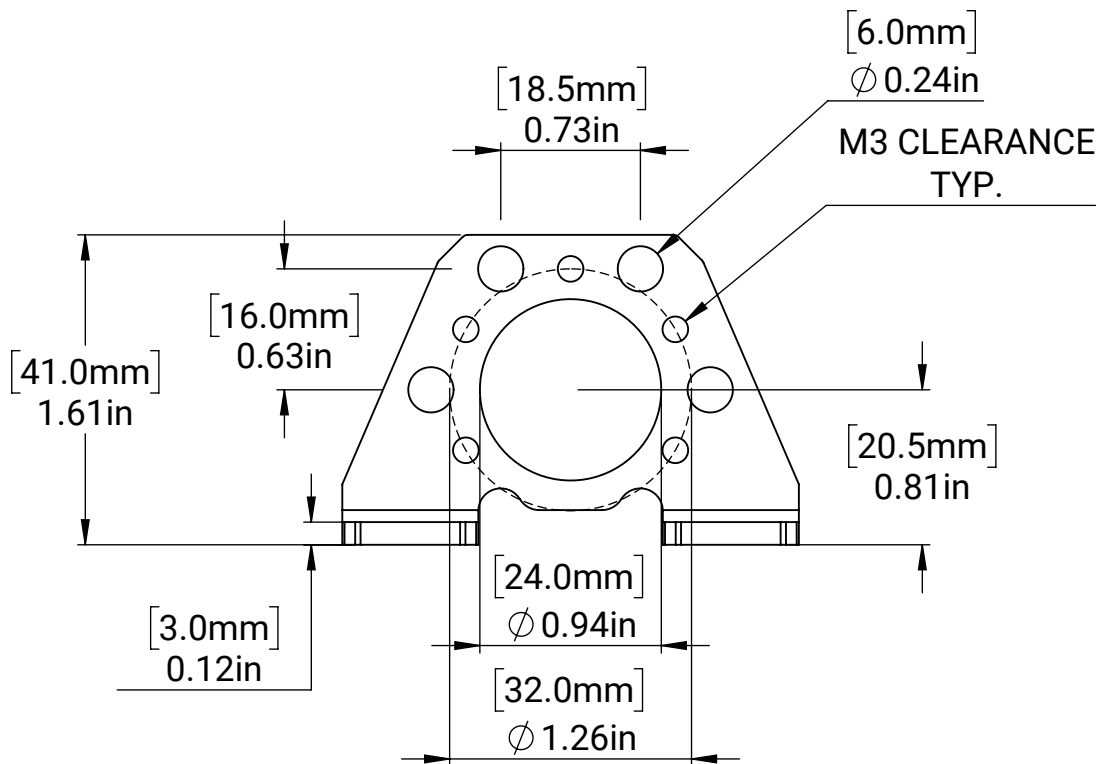
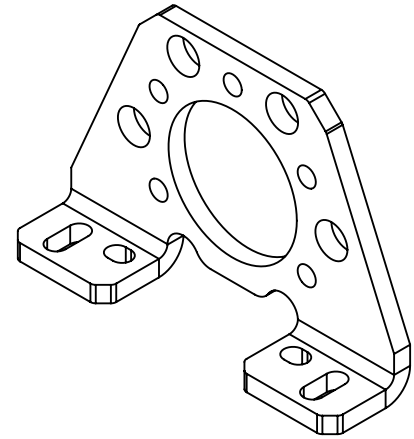
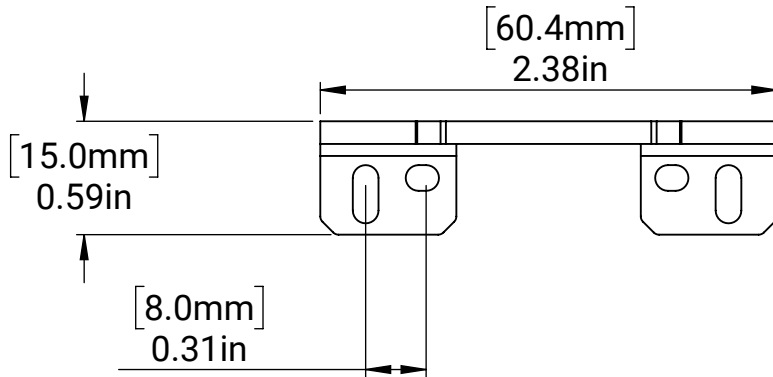


## ULTRAPLANETARY BENT MOUNTING BRACKET



MM SHEET TOLERANCES:

X  $\pm$  0.50 MM  
 X.X  $\pm$  0.10 MM  
 X.XX  $\pm$  0.05 MM  
 ANGLES  $\pm$  2°

INCH SHEET TOLERANCES:

X  $\pm$  0.1 IN  
 X.X  $\pm$  0.02 IN  
 X.XX  $\pm$  0.004 IN  
 X.XXX  $\pm$  0.002 IN  
 ANGLES  $\pm$  2°

MATERIAL:

**5052 ALUMINUM**

DATE: 7/31/2020