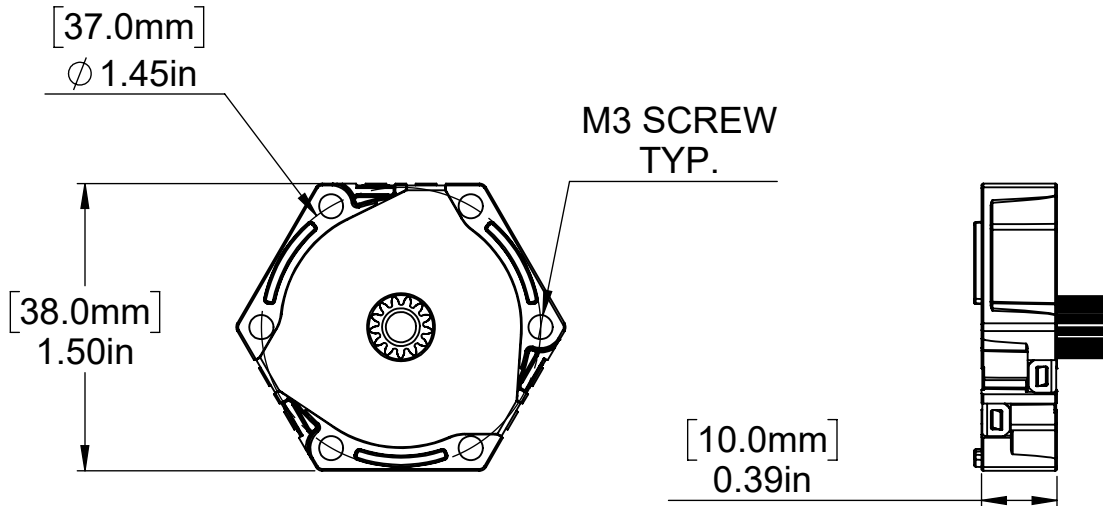
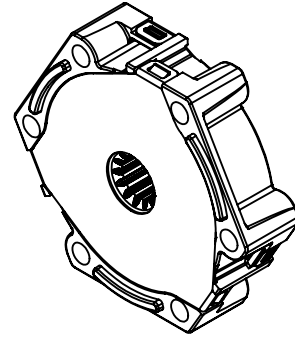
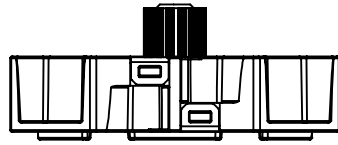


PART NUMBER	APPROXIMATE GEAR RATIO	ACTUAL GEAR RATIO
REV-41-1601	3:1	2.89:1
REV-41-1602	4:1	3.61:1
REV-41-1603	5:1	5.23:1



MM SHEET TOLERANCES:

X \pm 0.50 MM
 X.X \pm 0.10 MM
 X.XX \pm 0.05 MM
 ANGLES \pm 2°

INCH SHEET TOLERANCES:

X \pm 0.1 IN
 X.X \pm 0.02 IN
 X.XX \pm 0.004 IN
 X.XXX \pm 0.002 IN
 ANGLES \pm 2°

MATERIAL:

DATE: 6/28/2021