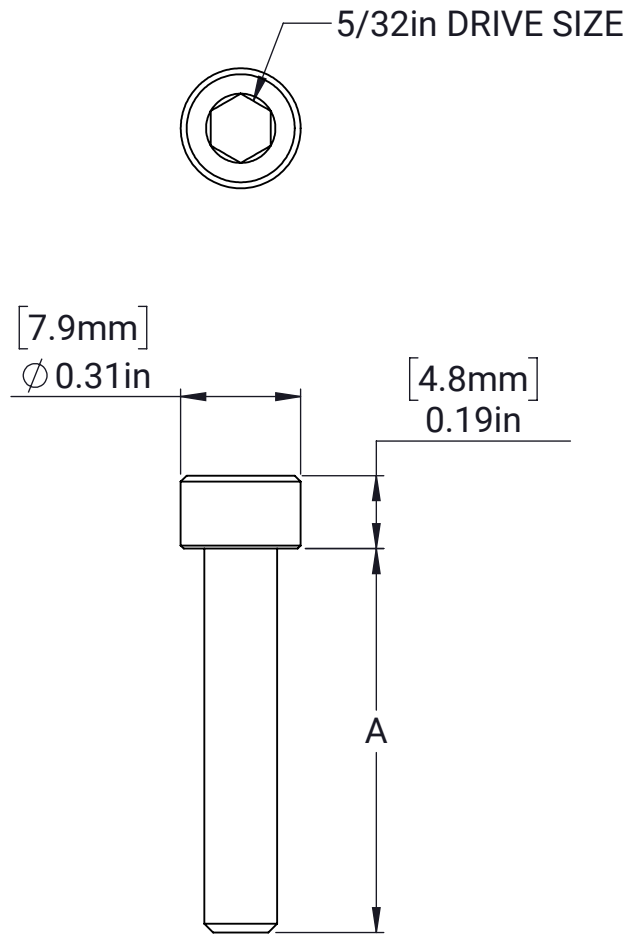


#10-32 Socket Head Cap Screws

Part #	Length (A)
REV-29-2912	[9.5mm] 0.38in
REV-29-2914	[12.7mm] 0.50in
REV-29-2916	[15.9mm] 0.63in
REV-29-2918	[19.1mm] 0.75in
REV-29-2922	[25.4mm] 1.00in
REV-29-2924	[31.8mm] 1.25in
REV-29-2926	[38.1mm] 1.50in
REV-29-2928	[44.5mm] 1.75in
REV-29-2930	[50.8mm] 2.00in
REV-29-2932	[63.5mm] 2.50in
REV-29-2934	[76.2mm] 3.00in
REV-29-2936	[88.9mm] 3.50in
REV-29-2938	[101.6mm] 4.00in



MATERIAL:

Alloy Steel

FINISH:

Black Oxide

DATE:

8/16/2022