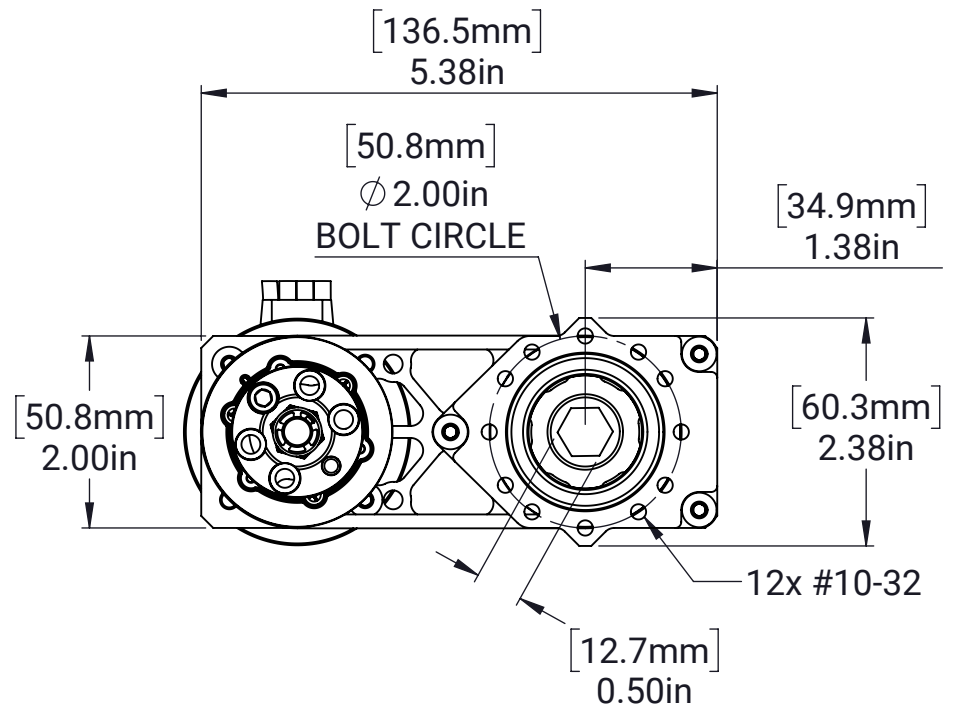
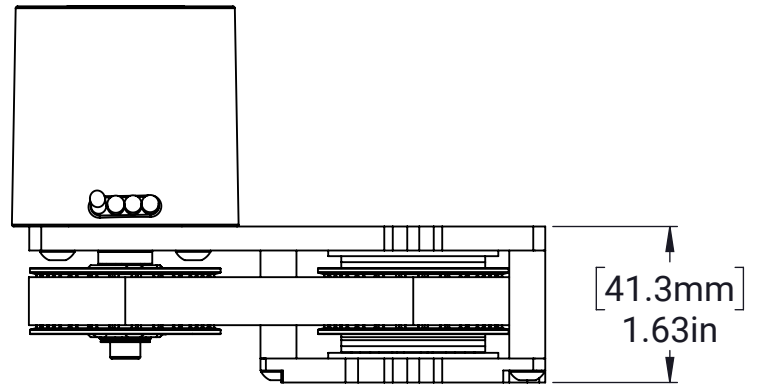
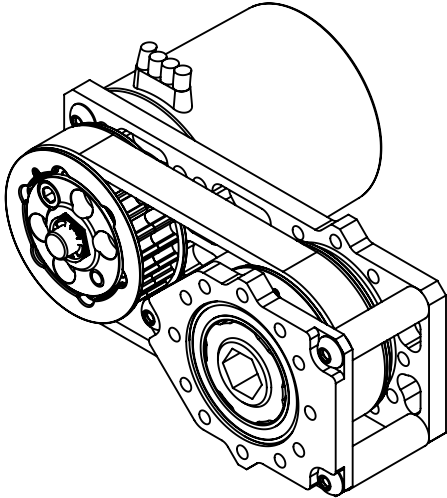


180deg Input Kit



MATERIAL:

N/A

FINISH:

N/A

DATE:

12/28/2023