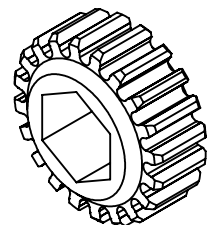
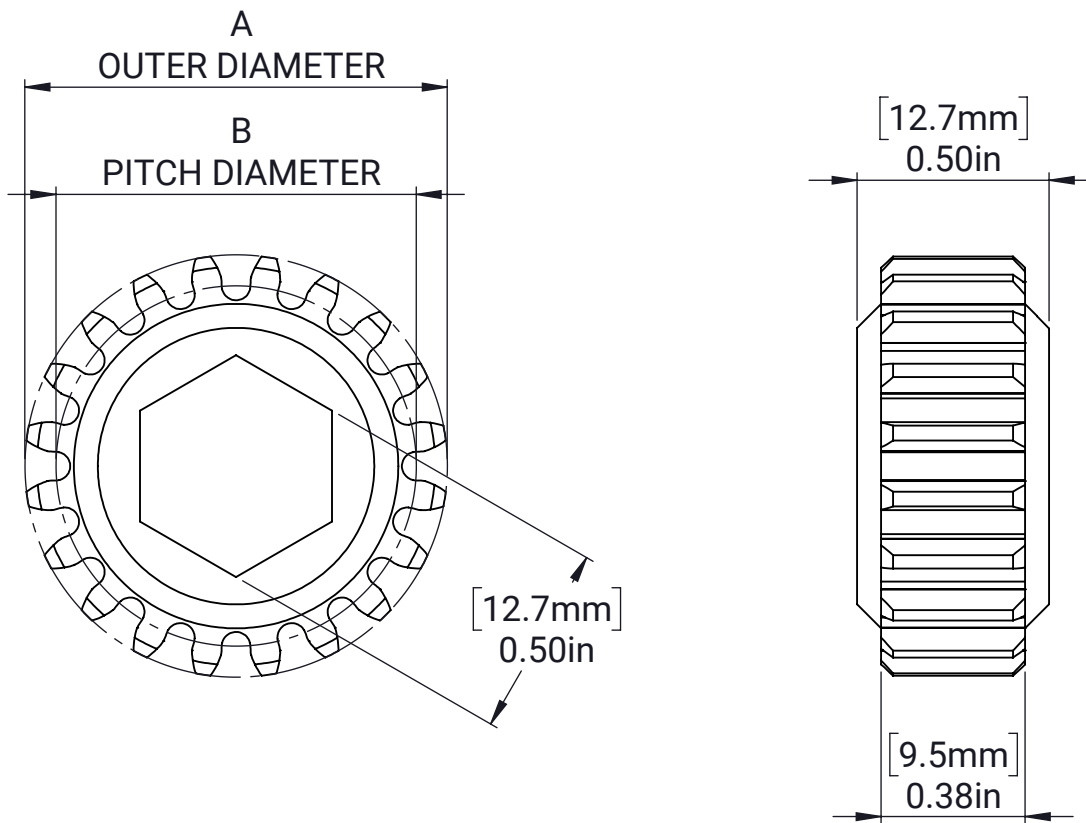


20DP Gear - 1/2in Hex (Small)

Part #	Outer Diameter (A)	Pitch Diameter (B)	Teeth
REV-21-1920	[25.4mm] 1.00in	[22.9mm] 0.90in	18
REV-21-1921	[27.9mm] 1.10in	[25.4mm] 1.00in	20
REV-21-1923	[33.0mm] 1.30in	[30.5mm] 1.20in	24
REV-21-1925	[38.1mm] 1.50in	[35.6mm] 1.40in	28



MATERIAL:

Steel 4140

FINISH:

N/A

DATE:

6/16/2022