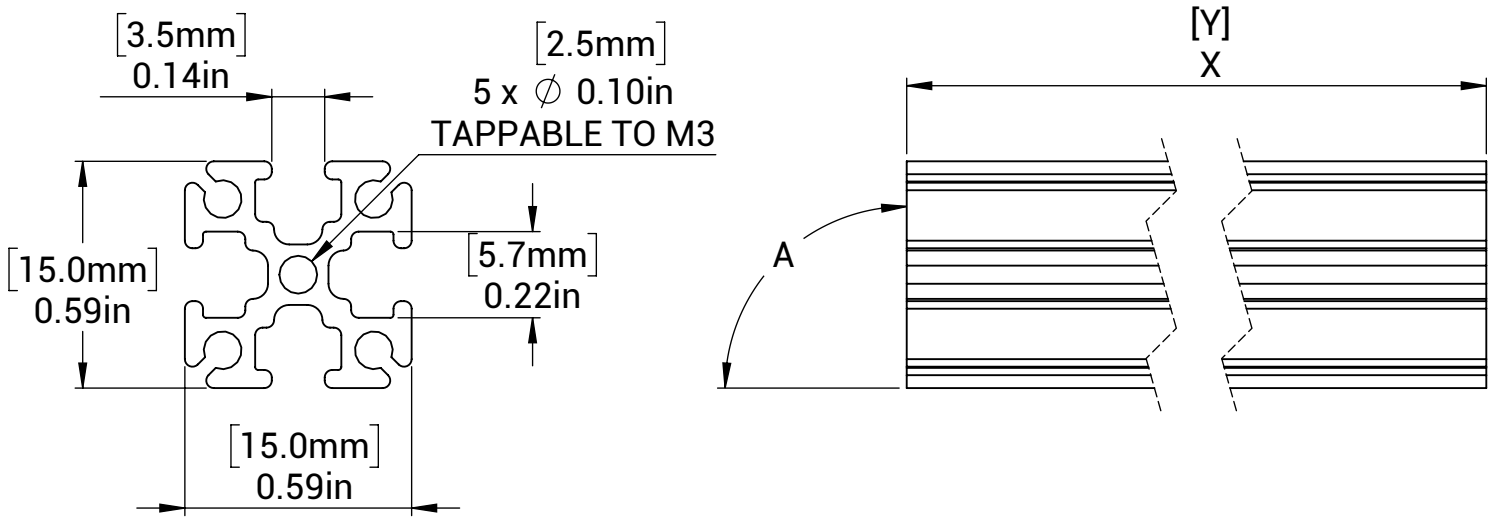


15MM EXTRUSION

PART NUMBER	X (IN)	Y (MM)	A (DEGREES)	COLOR
REV-41-1568	4.72	120	90	CLEAR ANODIZED
REV-41-1430	5.91	150	CLEAR ANODIZED	
REV-41-1431	8.85	225	90	CLEAR ANODIZED
REV-41-1432	16.54	420	90	CLEAR ANODIZED
REV-41-1017	39.37	1000	90	CLEAR ANODIZED
REV-41-1569	39.37	1000	90	BLACK ANODIZED



MM SHEET TOLERANCES:

X ± 0.50 MM
 X.X ± 0.10 MM
 X.XX ± 0.05 MM
 ANGLES $\pm 2^\circ$

INCH SHEET TOLERANCES:

X ± 0.1 IN
 X.X ± 0.02 IN
 X.XX ± 0.004 IN
 X.XXX ± 0.002 IN
 ANGLES $\pm 2^\circ$

MATERIAL:

6063-T5 ALUMINUM

DATE: 1/4/2021